

Type: Semi-hermetic piston compressors

Producer: Copeland

Series: DK

Model: DKL-150

Technical data

Cylinder count:	2
Displacement [m ³ /h]:	7,4
Weight [kg]:	41
Oil charge [dm ³]:	0,6
Max. operating current [A]:	3,3
Locked rotor current [A]:	20,4
Power supply [V/~/Hz]:	380-420V/3/50Hz

Connections

	<u>milimeters</u>	<u>inches</u>
Suction line:		5/8"
Discharge line:		1/2"

R22
Cooling capacity [kW]

t_c \ t_e	-50	-45	-40	-35	-30	-25	-20	-15	-10	-5
25	0.38	0.62	0.92	1.29	1.74	2.27	2.90	3.63	4.48	5.45
30	0.31	0.53	0.81	1.16	1.58	2.09	2.69	3.39	4.20	5.13
35	0.23	0.44	0.71	1.03	1.43	1.91	2.48	3.15	3.93	4.82
40	0.16	0.36	0.60	0.91	1.28	1.74	2.28	2.91	3.66	4.51
45	-	0.27	0.50	0.79	1.14	1.57	2.08	2.68	3.39	-
50	-	0.19	0.40	0.67	1.00	1.40	1.88	2.46	-	-
55	-	-	0.31	0.56	0.86	1.24	1.69	2.23	-	-

Power input [kW]

t_c \ t_e	-50	-45	-40	-35	-30	-25	-20	-15	-10	-5
25	0.55	0.66	0.75	0.84	0.93	1.01	1.09	1.17	1.26	1.34
30	0.54	0.66	0.77	0.88	0.98	1.07	1.17	1.26	1.35	1.45
35	0.52	0.66	0.78	0.90	1.02	1.13	1.24	1.34	1.45	1.55
40	0.49	0.64	0.79	0.92	1.05	1.17	1.29	1.41	1.53	1.65
45	-	0.62	0.78	0.93	1.07	1.21	1.35	1.48	1.61	-
50	-	0.59	0.77	0.93	1.09	1.24	1.39	1.54	-	-
55	-	-	0.74	0.93	1.10	1.27	1.43	1.59	-	-



Current [A]

t_c \ t_e	-50	-45	-40	-35	-30	-25	-20	-15	-10	-5
25	1.82	1.89	1.98	2.07	2.18	2.27	2.37	2.45	2.51	2.55
30	1.81	1.89	1.99	2.09	2.21	2.33	2.44	2.55	2.64	2.71
35	1.80	1.88	1.99	2.11	2.24	2.38	2.52	2.65	2.77	2.87
40	1.78	1.88	1.99	2.12	2.27	2.43	2.58	2.74	2.89	3.02
45	-	1.86	1.99	2.13	2.29	2.47	2.64	2.82	3.00	-
50	-	1.85	1.98	2.13	2.31	2.50	2.70	2.90	-	-
55	-	-	1.96	2.13	2.32	2.53	2.75	2.97	-	-

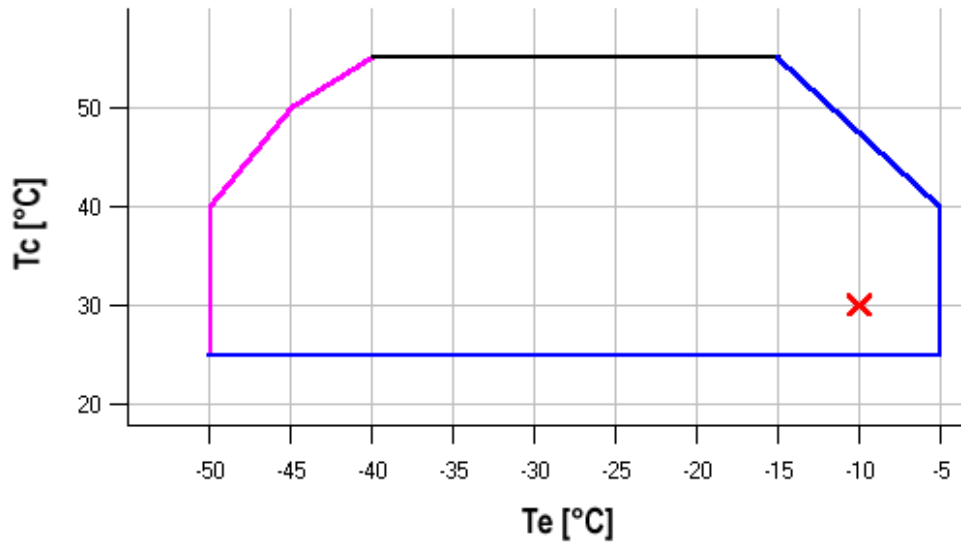
Mass flow [kg/s]

t_c \ t_e	-50	-45	-40	-35	-30	-25	-20	-15	-10	-5
25	8.60	13.86	20.26	27.93	37.02	47.67	60.03	74.22	90.40	108.70
30	7.19	12.28	18.52	26.05	35.00	45.52	57.75	71.83	87.91	106.12
35	5.73	10.66	16.74	24.11	32.92	43.31	55.42	69.39	85.36	103.47
40	4.21	8.97	14.89	22.12	30.79	41.04	53.03	66.88	82.74	100.75
45	-	7.23	12.99	20.06	28.59	38.71	50.56	64.30	80.05	-
50	-	5.43	11.03	17.94	26.32	36.31	48.03	61.65	-	-
55	-	-	9.00	15.76	23.99	33.83	45.43	58.92	-	-

C.O.P. [W/W]

$t_c \setminus t_e$	-50	-45	-40	-35	-30	-25	-20	-15	-10	-5
25	0.70	0.95	1.23	1.53	1.87	2.24	2.65	3.09	3.57	4.07
30	0.57	0.81	1.05	1.32	1.62	1.95	2.30	2.69	3.10	3.54
35	0.45	0.67	0.90	1.14	1.41	1.70	2.01	2.35	2.71	3.10
40	0.33	0.55	0.77	0.99	1.22	1.48	1.76	2.06	2.39	2.73
45	-	0.44	0.64	0.85	1.06	1.29	1.54	1.81	2.11	-
50	-	0.33	0.53	0.72	0.92	1.13	1.35	1.60	-	-
55	-	-	0.42	0.60	0.78	0.98	1.18	1.41	-	-

Application range

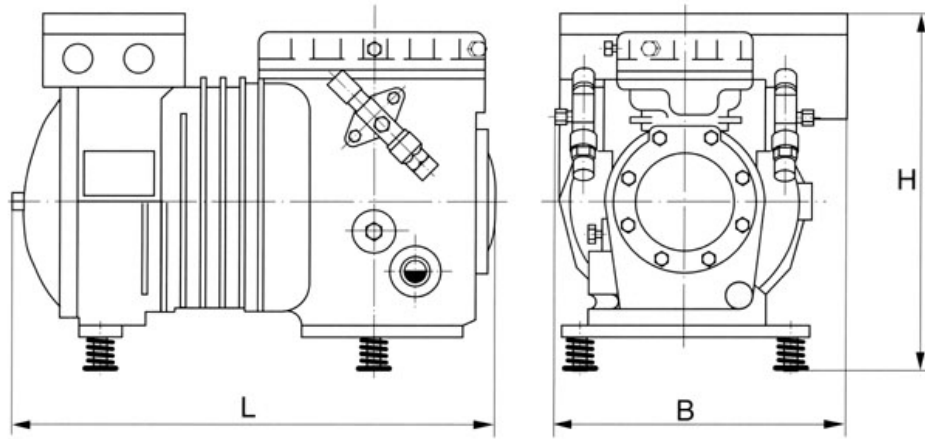


- Maximum evaporating temperature
- 25°C suction gas return + additional cooling

Operating conditions: ISO; subcooling: 0 K, suction superheat: 10 K, return gas temperature: -

t_c - Condensing temperature [°C]

t_e - Evaporating temperature [°C]



L	355 mm
B	235 mm
H	280 mm

