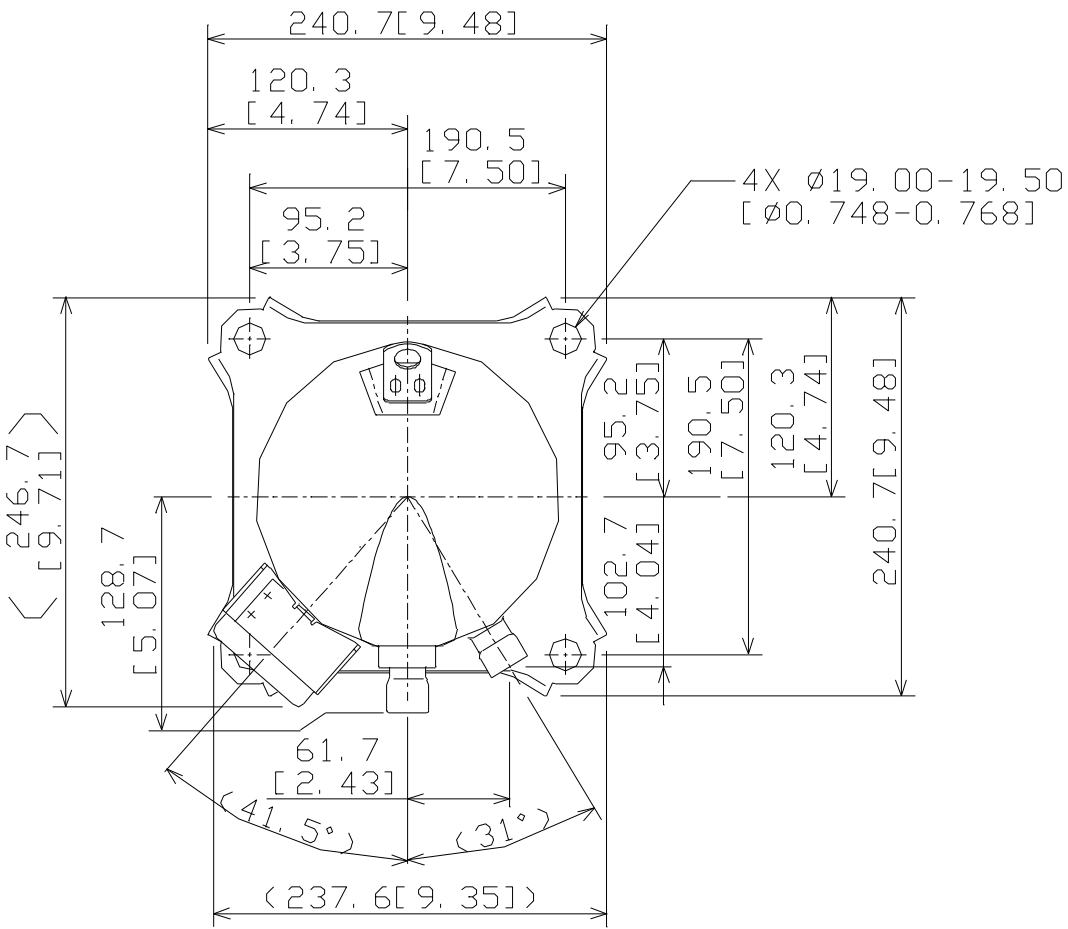


ZR81KC, KCE



19.10-19.25 $\varnothing 0.752-0.758$? I.D.

$\nabla 16.9$ $\varnothing 0.66$? MIN? COPPER

DISCHARGE FITTING?

STEEL CHECK VALVE

