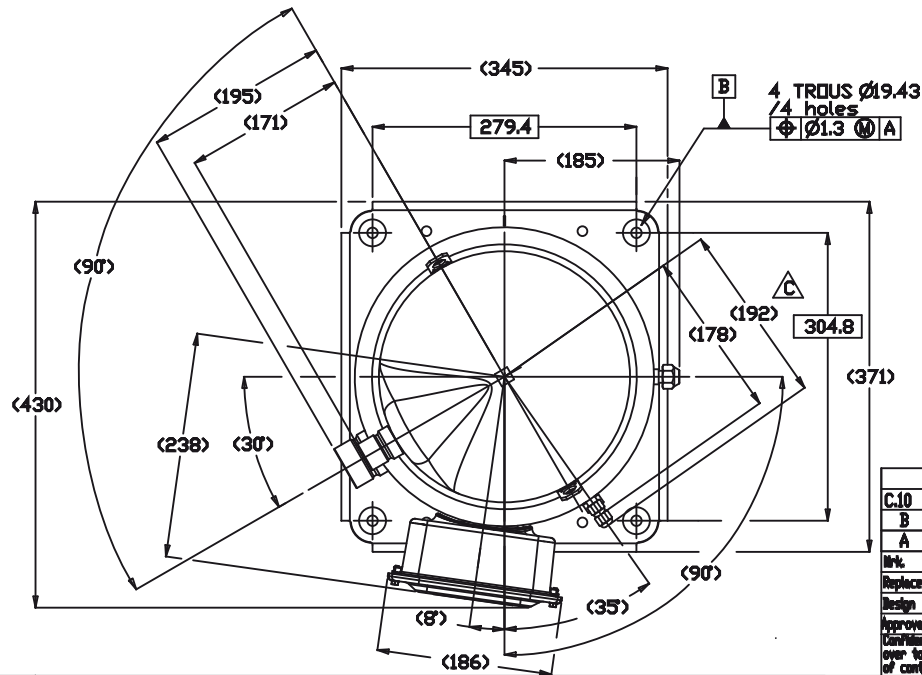


SANS COMPRESSION (29.5)  
/Without compression  
AVEC COMPRESSION (28.0)  
/With compression



REFERENCE PIECE / Part  
number  
8551056P01 C.4

C.10	ECR-2010-2897	14/03/11	Projection	Scale	Material	A2
B	DM 980493	21/11/99				
A	CREATION PLAN	23/06/98		1/1	S175/185 - CA	ENCMBREMENT S175/185 - CA
Rev.	Approval/Rev	Date				
Replace	DPR					
Design	BIP					
Approval			<small>Confidential Property of Danfoss Commercial. All rights reserved. No part of this document may be copied or used by third party. Two or three dimensional reproduction of contents to be authorized by Danfoss DC.</small>		ca No. 8551056	Production print