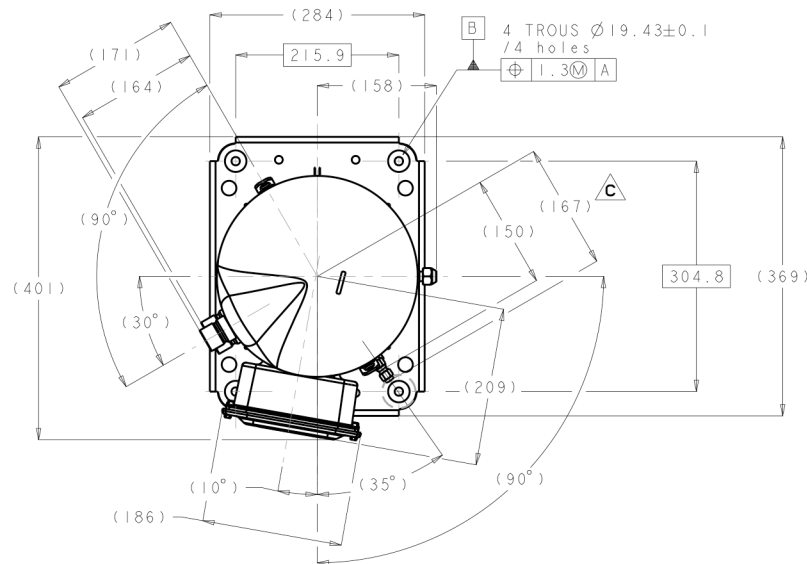


SANS COMPRESSION: (29.5)  
/Without compression

AVEC COMPRESSION: (28.0)  
/With compression



REFERENCE PIECE / Part number	
8551055P01	C.2

			Projection	Scale	Material
C	ECR-2010-2897	30/03/11		1/5	Tol Gen
B	DM 980493	21/10/99			A2
A	DM 980241/980070/980305	19/06/98	 <b>Danfoss Commercial Compressors</b>		Designation
Mrk.	Approval/Rev	Date			S160 - CA OUTLINE
Replace					ENCOMBREMENT S160-CA
Design	DPR				
Approval	BOP		<small>Confidential: Property of Danfoss Commercial Compressors. Not to be handed over to copied or used by third party. Two or three dimensional reproduction of contents to be authorized by Danfoss CC.</small>		c.2 No. 8551055
					Production print