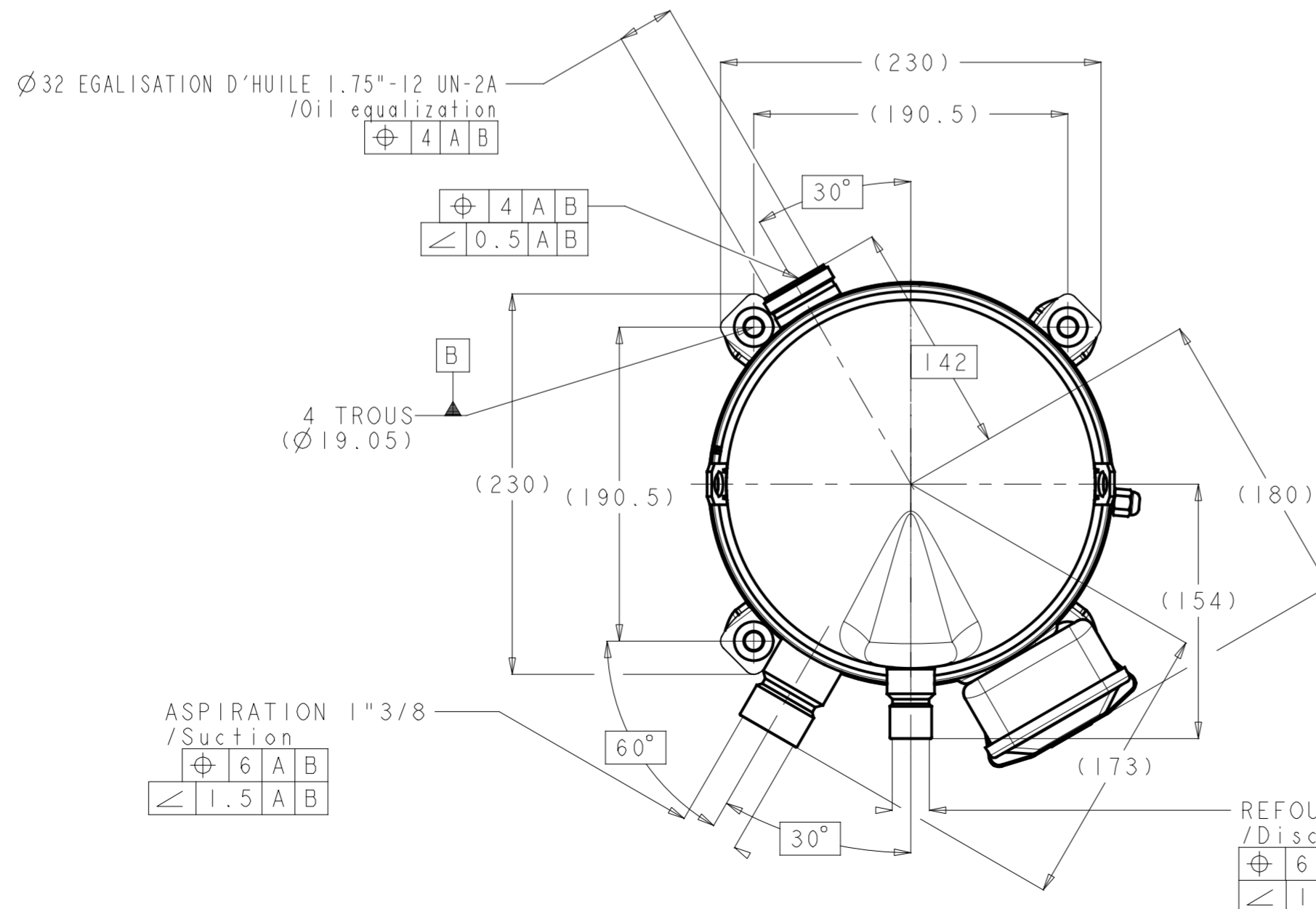
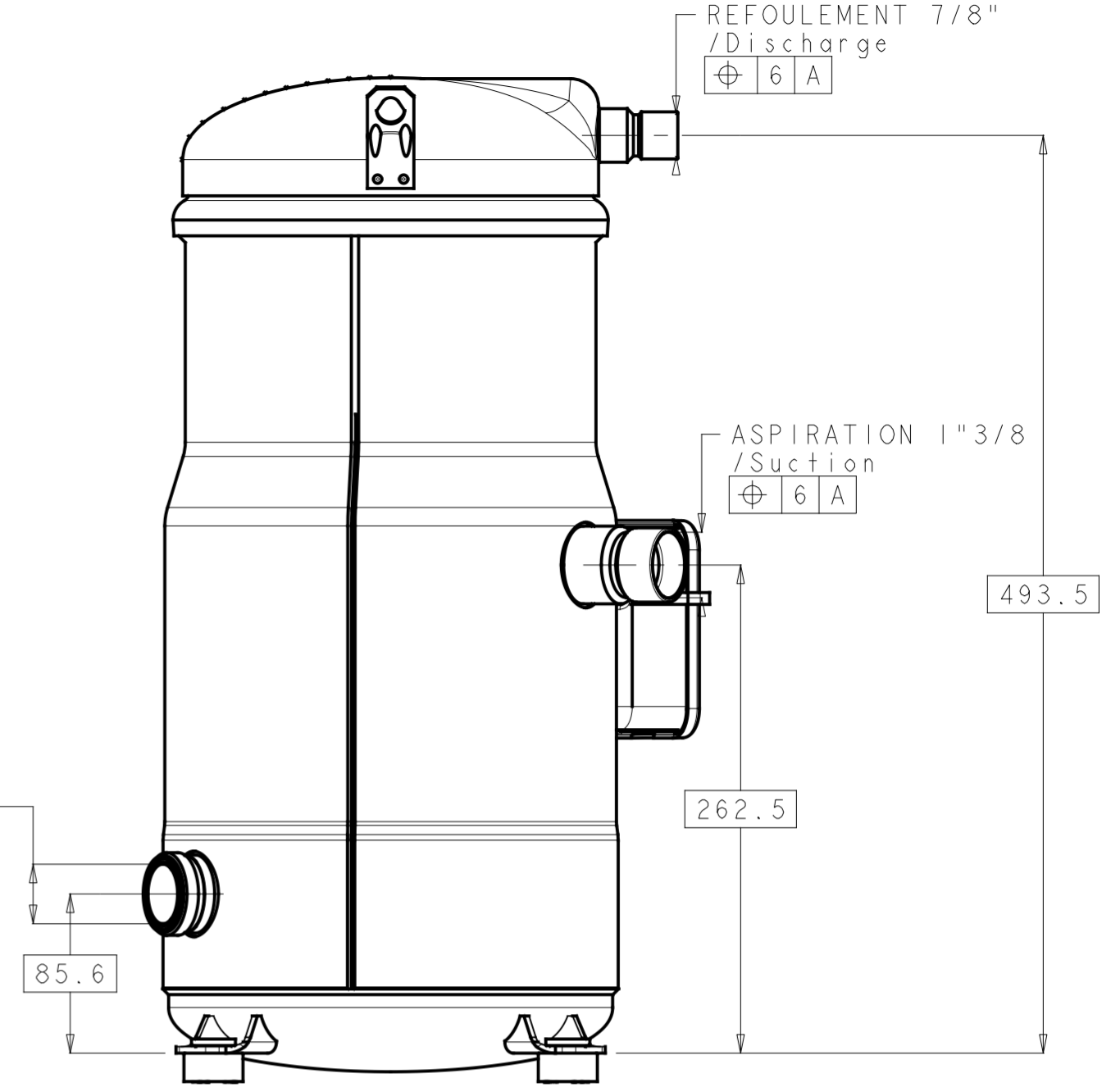


SANS COMPRESSION/: (15.25)
 Without compression
 AVEC COMPRESSION/: (14.4)
 With compression

EGALISATION D'HUILE /Oil equalization
 Ø 6 A



Ø32 EGALISATION D'HUILE 1.75"-12 UN-2A /Oil equalization
 Ø 4 A B
 < 0.5 A B

Ø 4 A B
 < 0.5 A B

4 TROUS (Ø19.05)

ASPIRATION 1"3/8 /Suction
 Ø 6 A B
 < 1.5 A B

REFOULEMENT 7/8" /Discharge
 Ø 6 A B
 < 1.5 A B

REFERENCE PIECE / Part number
 8560003P01A

Model	Motor code
DSH/WSH/SH105/120	3, 4, 6, 7, 9
SM124	3, 4, 9
SM147	4, 9
SZ147	4
DSH/WSH/SH140/161	4, 6, 7, 9

General Tolerances Table	Drawing Status :			Production print			Key characteristic Critical characteristic According to Danfoss standard 50220024
	±3 ANG°=±1°	H	ECR-2015-7015	21-07-15	Surface Area (m2)	Estimated Mass (Kg)	
Roughness (µm)	G	ECR-2013-5394	04/12/13	Projection	Scale	Size	Material : -
	F	ECR-2012-3829	16/03/12	1/3	A2	Designation	Designation
ISO 8015 ISO 1101	Revision	ECR Number	Date				Outline DSH,WSH,SH105/120/140/161, SM124/147,SZ147,T-block
	Designer	Ma Hongtao					Sheet 1 of 1
	Approval	Zhao Yanbo		H.2	Dwg N°	8560003	H