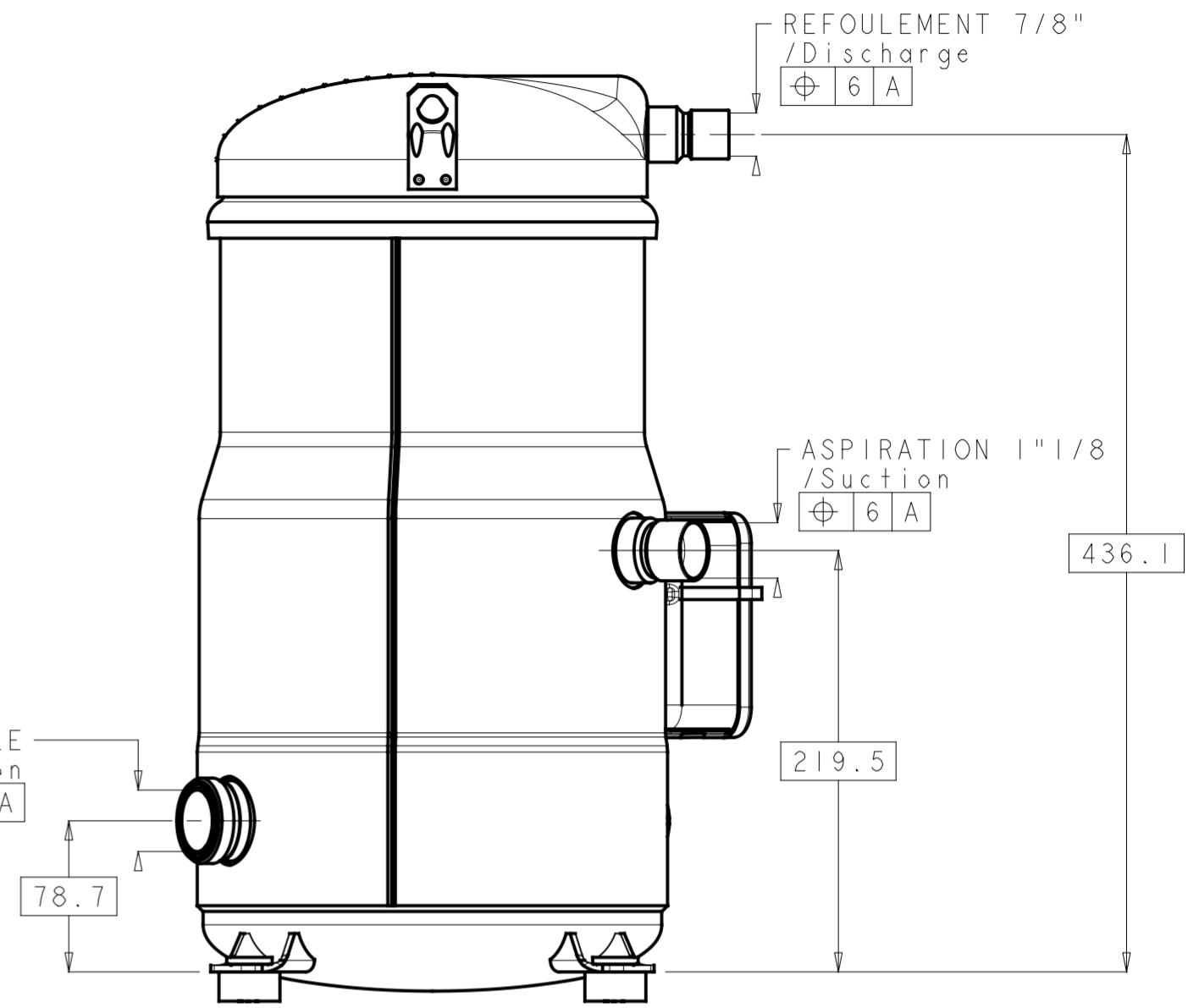


SANS COMPRESSION /: (15.25)
 Without compression
 AVEC COMPRESSION /: (15.1)
 With compression

EGALISATION D'HUILE /Oil equalization
 $\varnothing 6$ A

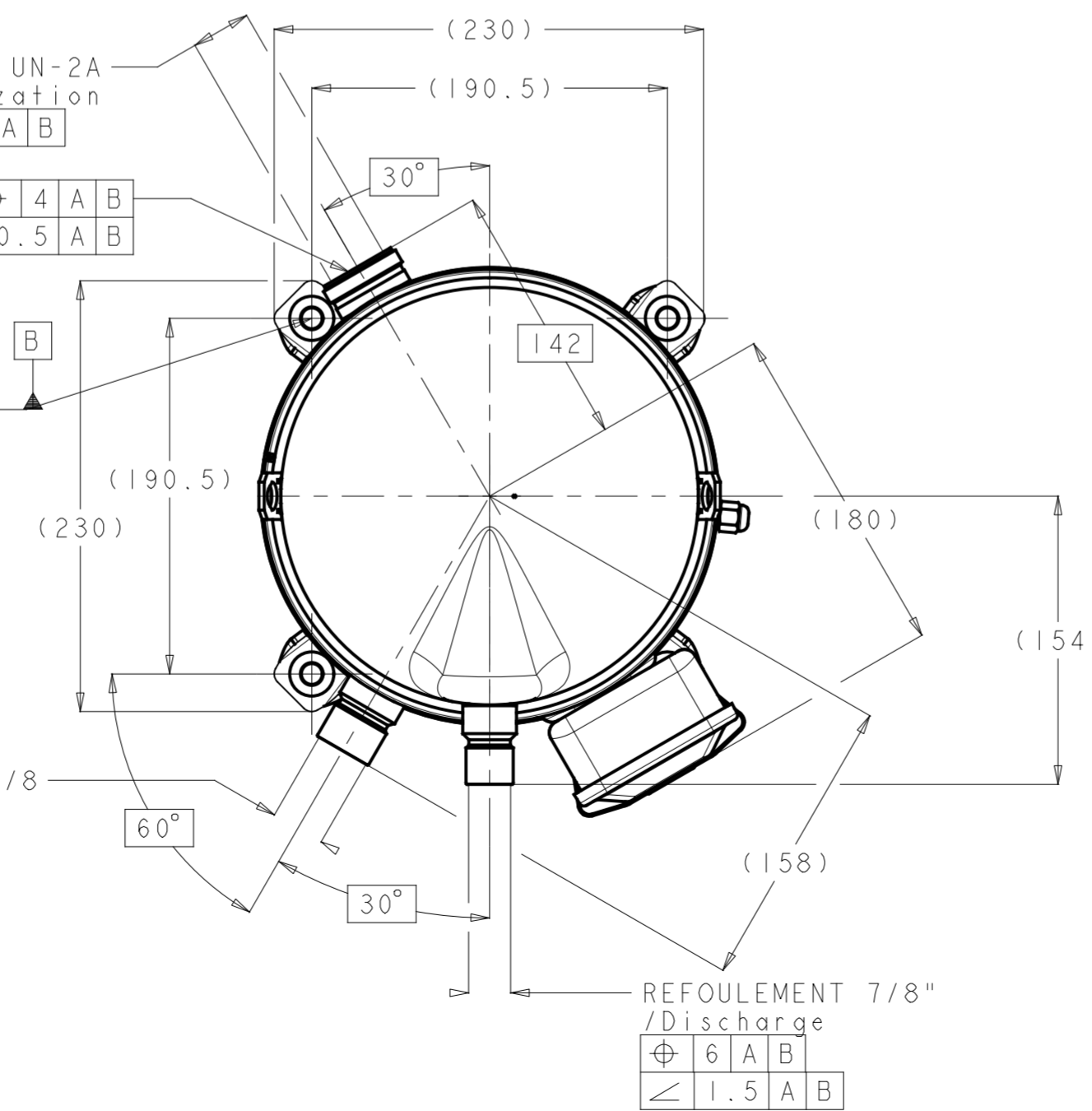


$\varnothing 32$ EGALISATION D'HUILE 1.75"-12 UN-2A /Oil equalization
 $\varnothing 4$ A B

$\varnothing 4$ A B
 ≤ 0.5 A B

4 TROUS
 $\varnothing 19.05$

ASPIRATION 1 1/8"
 /Suction
 $\varnothing 6$ A B
 ≤ 1.5 A B



REFOULEMENT 7/8"
 /Discharge
 $\varnothing 6$ A B
 ≤ 1.5 A B

REFERENCE PIECE / Part number

8560004P01A

General Tolerances Table	Drawing Status :			Production print			Key characteristic Critical characteristic According to Danfoss standard 50220024	
	±3 ANG°=±1°			Surface Area (m2)	Estimated Mass (Kg)	Projection		Scale
Roughness (µm)	F	ECR-2015-7105	20-07-15			1/3	A2	Material : -
	E	ECR-2011-3829	16/03/12	Revision	ECR Number	Date		Designation
				Designer	Ma Hongtao			Outline DSH/WSH,SH090,T-block
				Approval	Zhao Yanbo			Sheet 1 of 1 F.7 Dwg N° 8560004
ISO 8015 ISO 1101	Confidential: Property of Danfoss Commercial Compressors. Not to be handed over to copied or used by third party. Two or three dimensional reproduction of contents to be authorized by Danfoss CC.							F